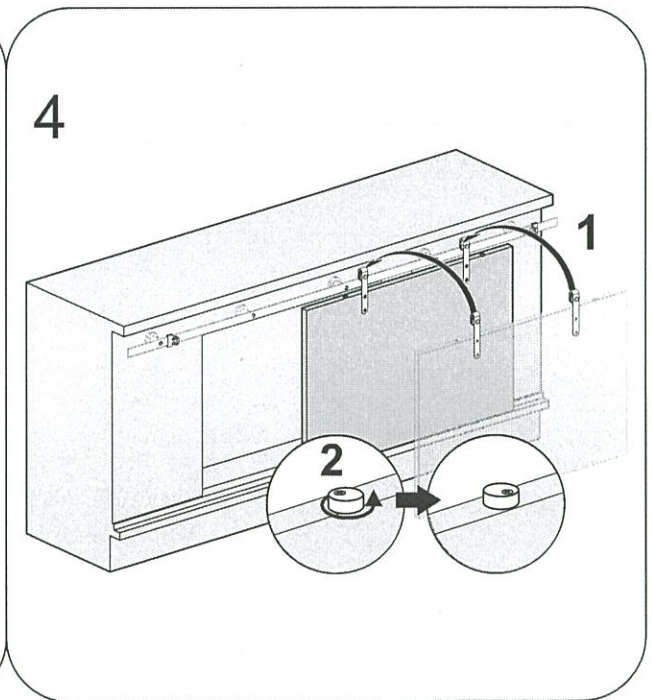
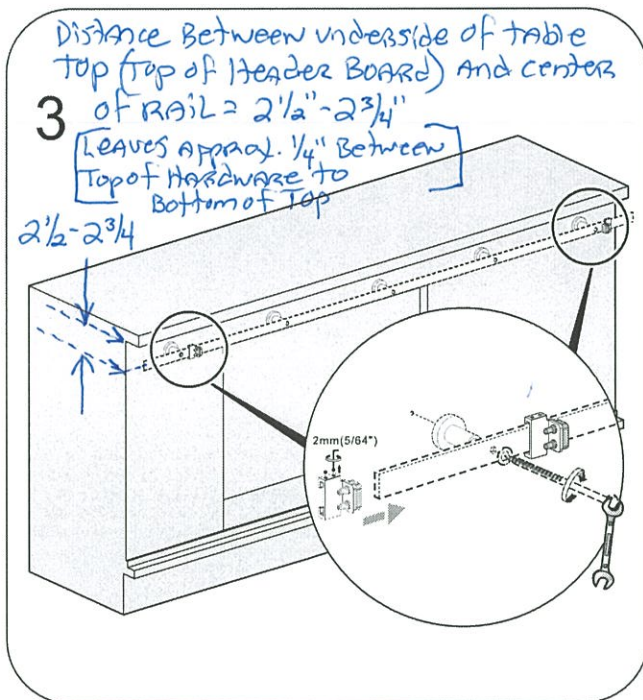
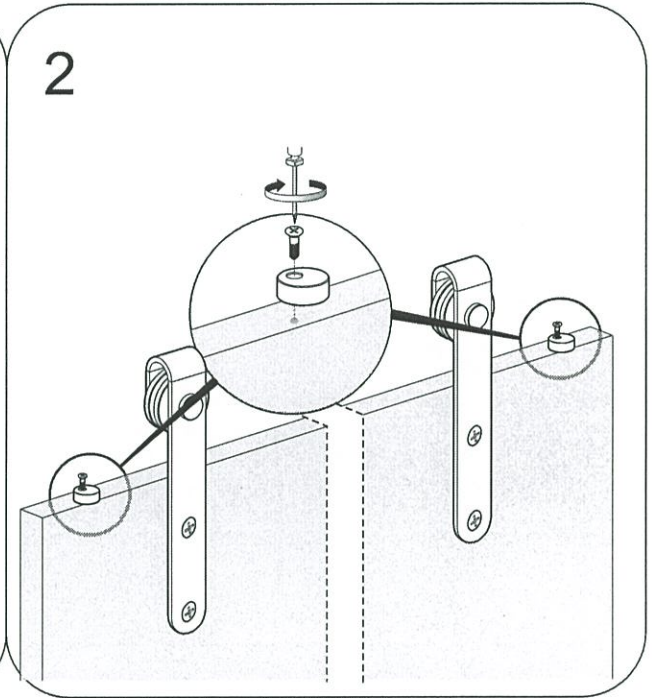
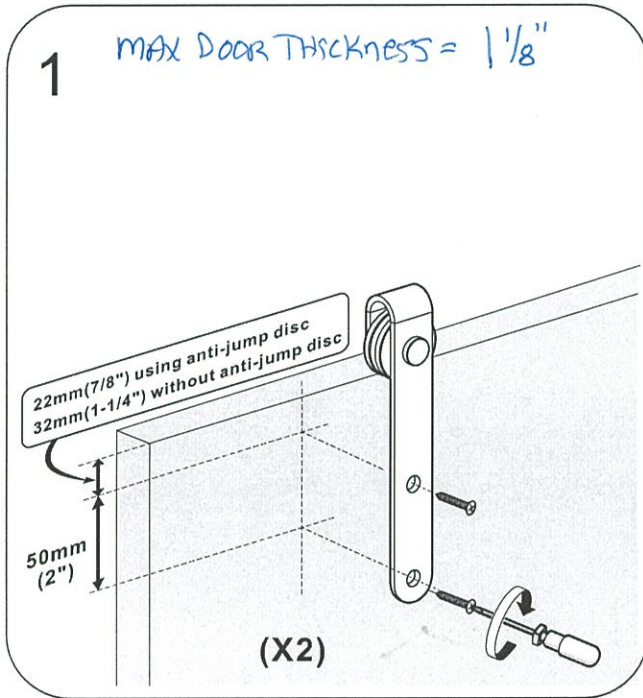
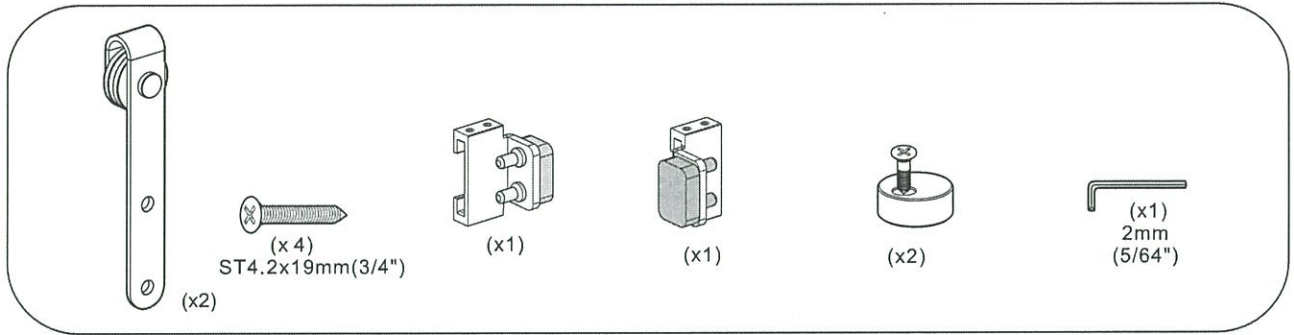
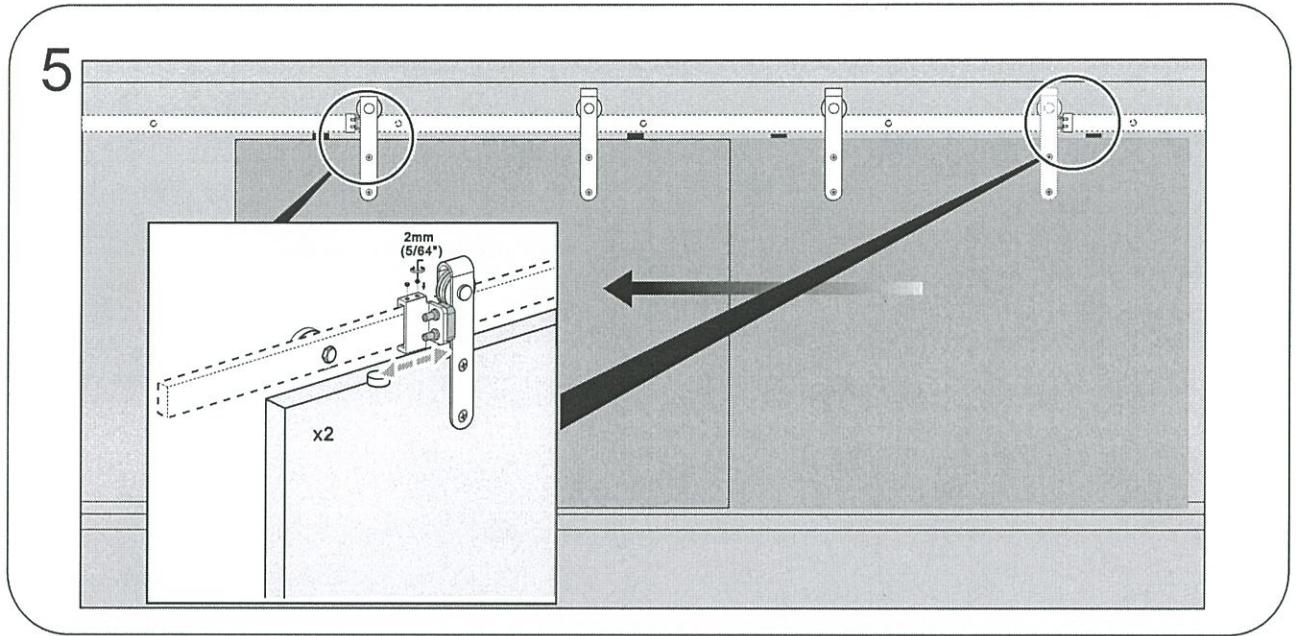


Installation Manual

NT. 1310.01.08





Rail Height = 1"
 Rail Thickness = $\frac{1}{8}$ "
 Rail Lengths = 48", 60", 72"

For Front mounted straps

Cabinet Face to Back side of strap = $\frac{1}{4}$ "
 calculation of GAP between cabinet + Back of Door

$$\frac{1}{4}" - \text{Door Thickness} = \text{GAP}$$

Cabinet Face to Front surface of strap (including mounting nut for rollers) = $\frac{5}{8}" - 2"$

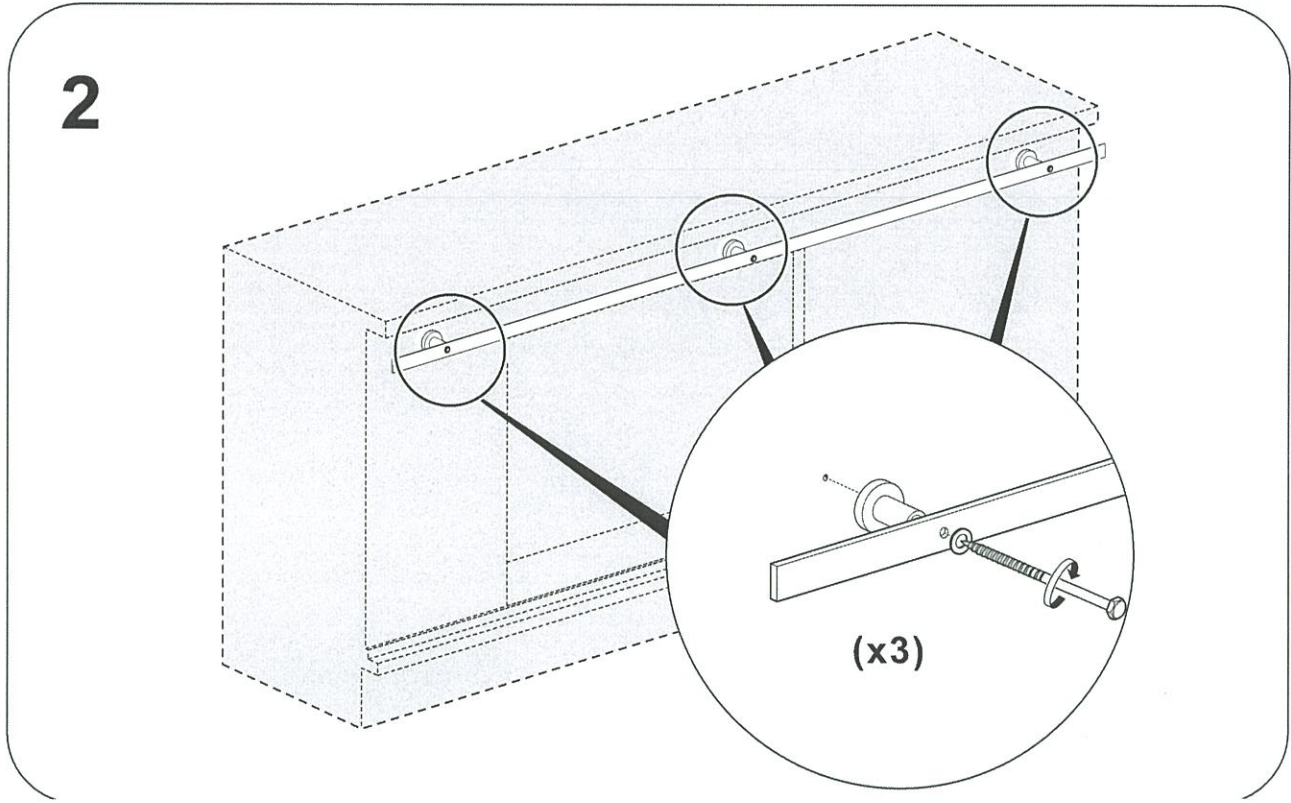
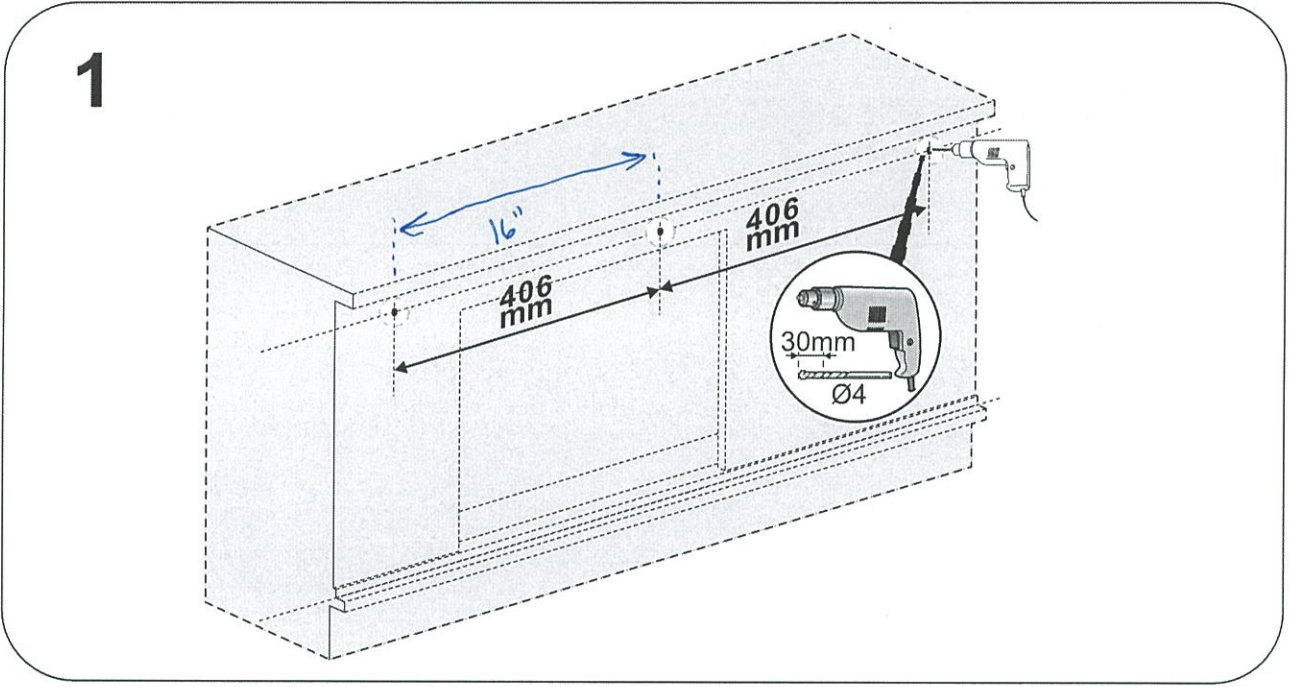
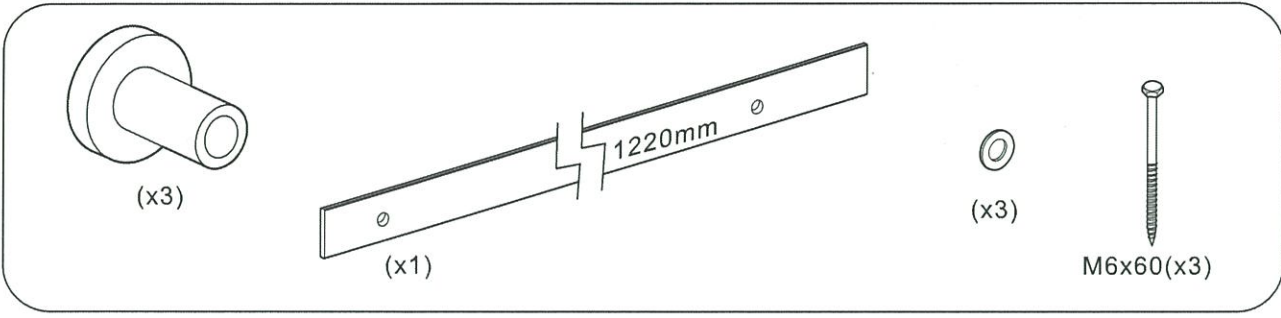
Cabinet Face to RAIL = 1"

[Depending on the strap style]

4' RAIL

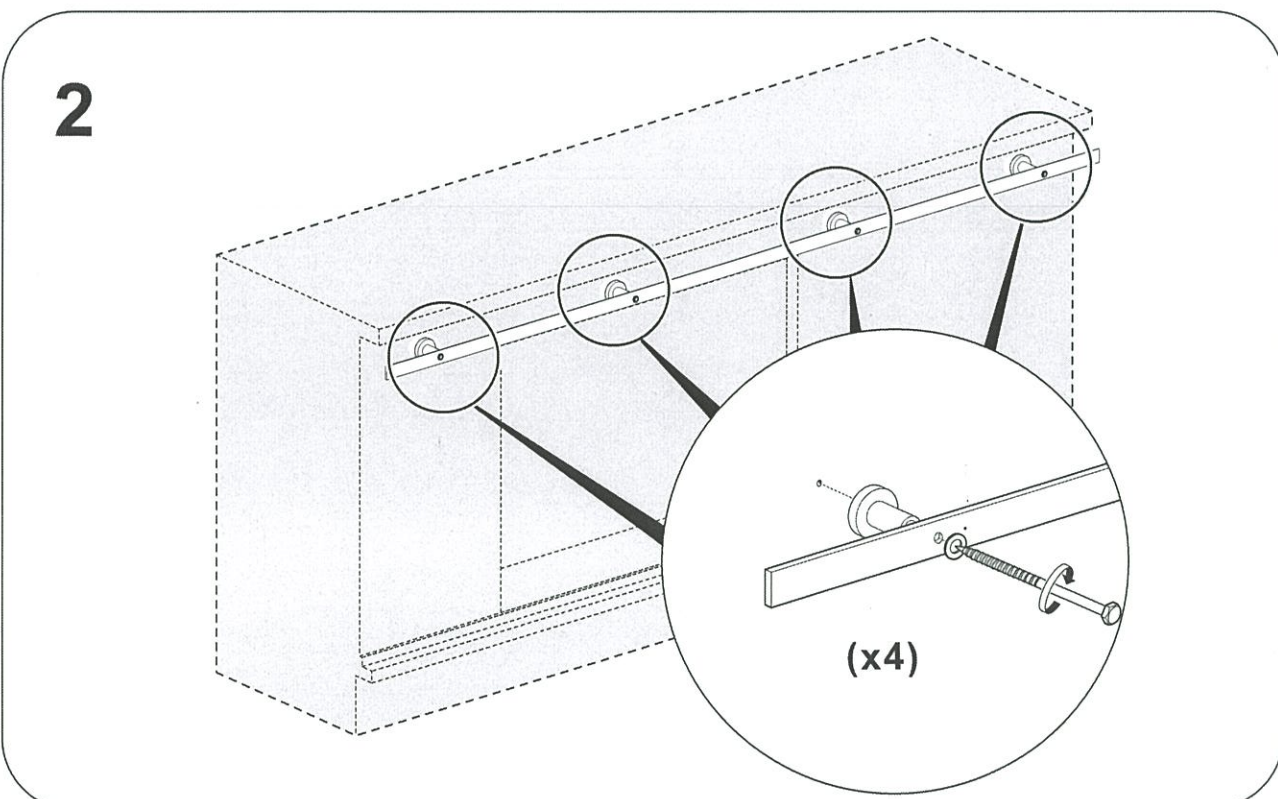
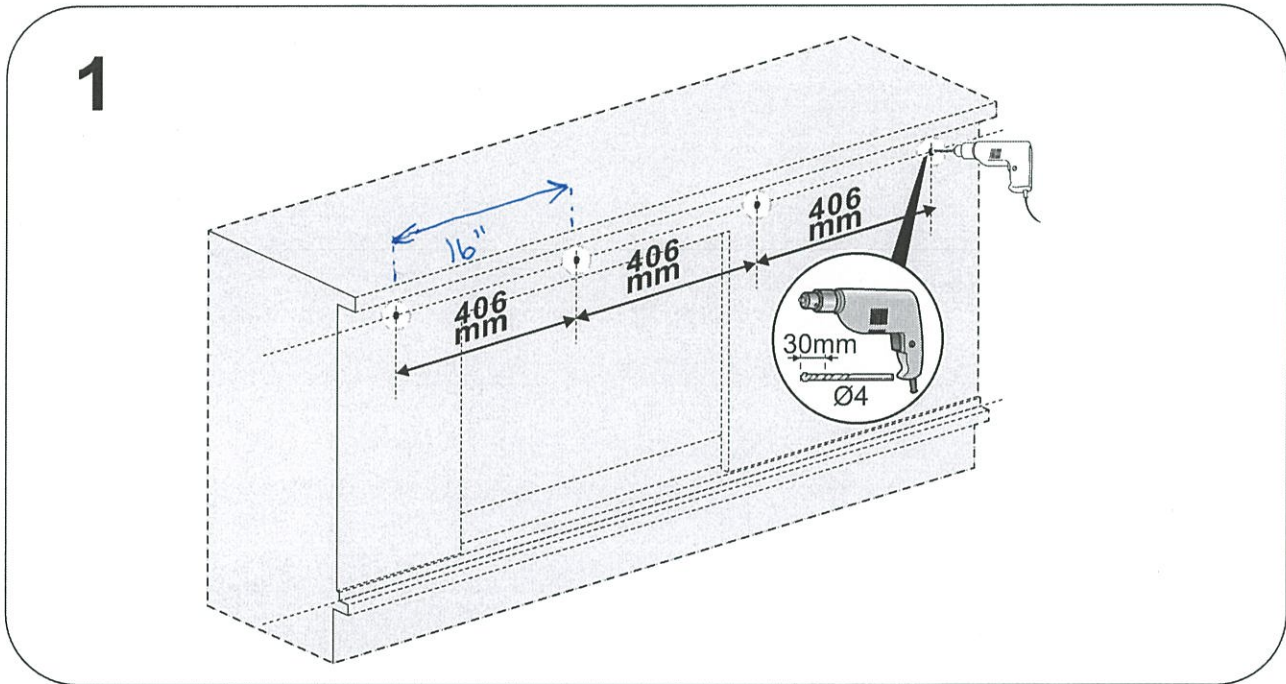
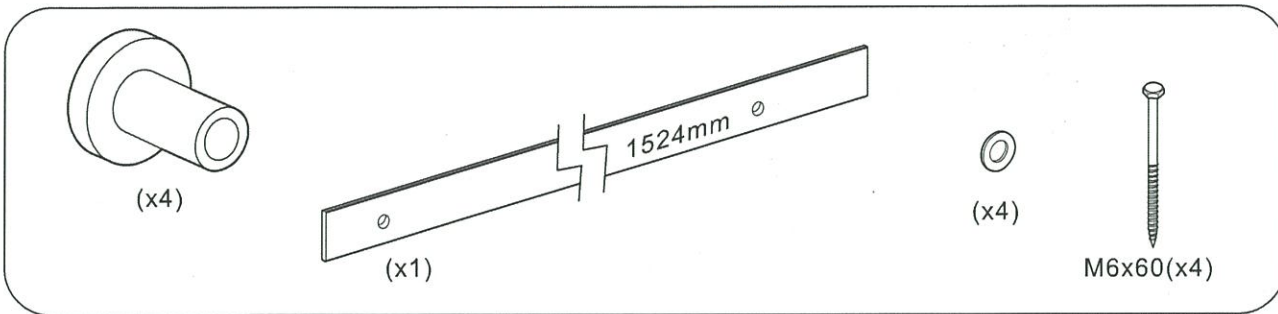
Installation Manual

NT.1302-48.08



Installation Manual

NT.1302-60.08



Installation Manual

NT.1302-72.08

